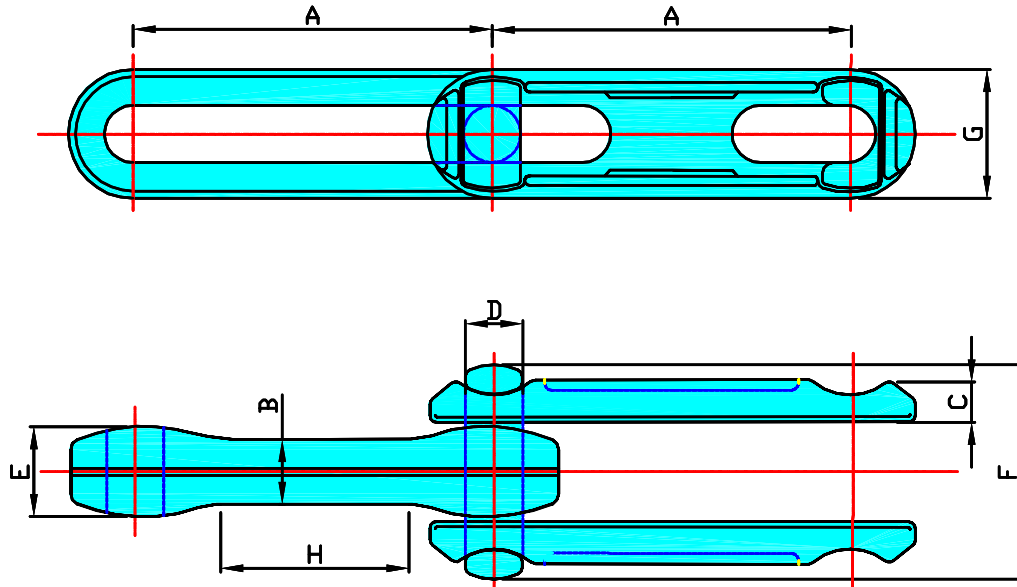


FORGED RIVETLESS CHAINS

OVERHEAD SERIES



CHAIN TYPE	WEIGHT		STRENGTH	
	KG\M	LB\FT	LBS	KN
348	3.28	2.2	22000	101
458	4.76	3.2	42000	190
458(4")	4.76	3.2	42000	190
CC100	4.76	3.2	42000	190
678	9.98	6.7	72000	322
160	9.98	6.7	72000	322
468	11.18	7.5	68000	311
658	3.88	2.6	42000	190
698	17.0	11.4	136000	605
998	13.42	9.0	136000	605

PRODUCT	A	B	C	D	E	F	G	H
CC100	100	16.0	12.2	15.8	25.0	59.0	36.0	57.0
468	102.4	29.0	16.0	19.1	40.9	83.3	47.6	40.0
458 (4")	101.6	16.0	11.9	15.8	25.0	59.0	36.0	58.0
698	153.2	25.4	22.2	28.4	39.1	94.8	63.5	60.0
160MM	160.0	20.5	19.0	22.0	32.5	79.3	50.8	88.0



Forged Chain Specialist
 Paul Hale
 Tel/Fax: (44) 01453 549021
 Mobile: 07725 670141
 E-mail:
 hale@lindenlea60.freeserve.co.uk

(UK) John King Chains Limited.
 New Climax Works, Lancaster Way, Sherburn in Elmet LS25 6NS UK
 Telephone: (44) 01977 681910
 Facsimile: (44) 01977 681899
 E-mail: admin@johnking-chain.com
 technical@johnking-chain.com
 sales@johnking-chain.com

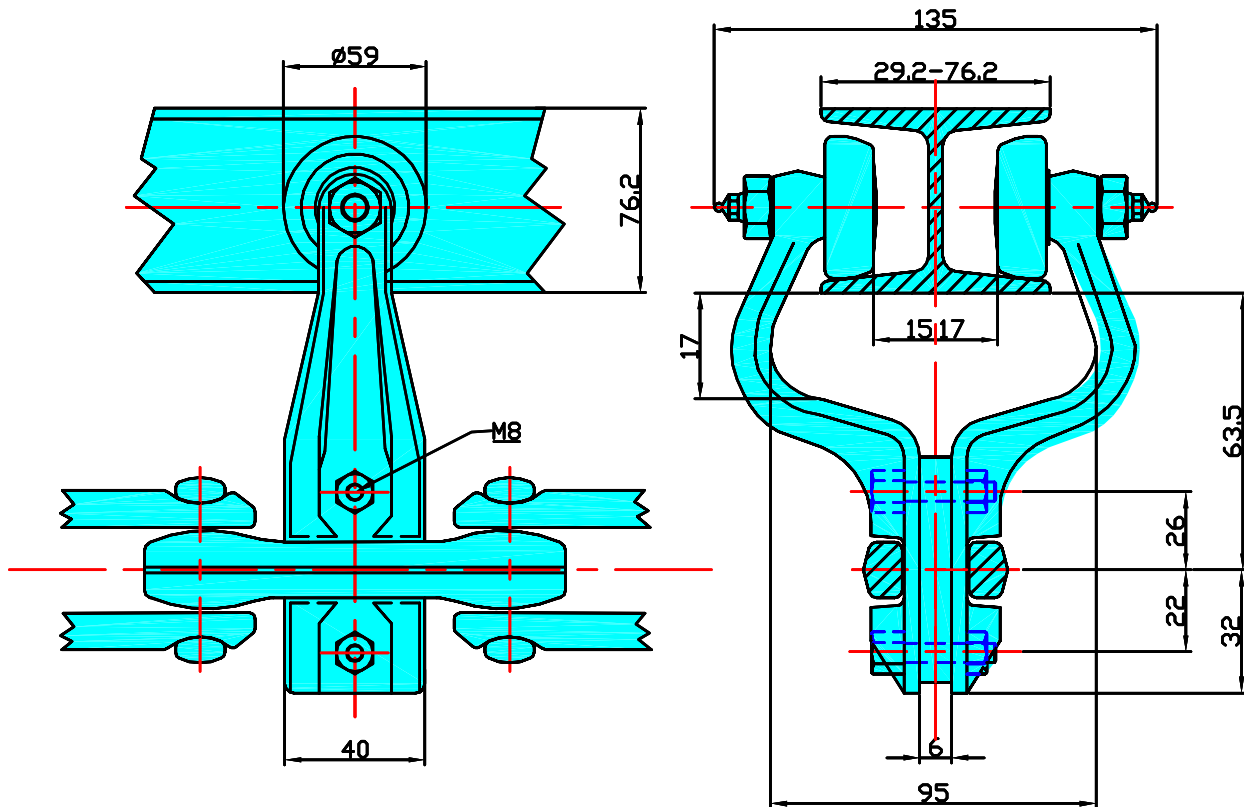
John King (USA) Inc.
 200 Catherine Street, Unit 7B, E. Peoria IL61611 USA
 Telephone: 309-698-9250
 Facsimile: 309-698-9259
 E-mail: salesusa@johnking-chain.com

Web: www.johnkingchains.com

FS2.1

FORGED CHAINS

OVERHEAD SERIES TROLLEY 348 BOLT ON TYPE 63.5mm DROP



WEIGHT OF TWO WHEEL TROLLEY	1.14kg
MAX PAYLOAD OF TWO WHEEL TROLLEY	180kg



Forged Chain Specialist
 Paul Hale
 Tel/Fax: (44) 01453 549021
 Mobile: 07725 670141
 E-mail:
 hale@lindenlea60.freeserve.co.uk

(UK) John King Chains Limited.
 New Climax Works, Lancaster Way, Sherburn in Elmet LS25 6NS UK
 Telephone: (44) 01977 681910
 Facsimile: (44) 01977 681899
 E-mail: admin@johnking-chain.com
 technical@johnking-chain.com
 sales@johnking-chain.com

John King (USA) Inc.
 200 Catherine Street, Unit 7B, E. Peoria IL61611 USA
 Telephone: 309-698-9250
 Facsimile: 309-698-9259
 E-mail: salesusa@johnking-chain.com

Web: www.johnkingchains.com

FS2.2