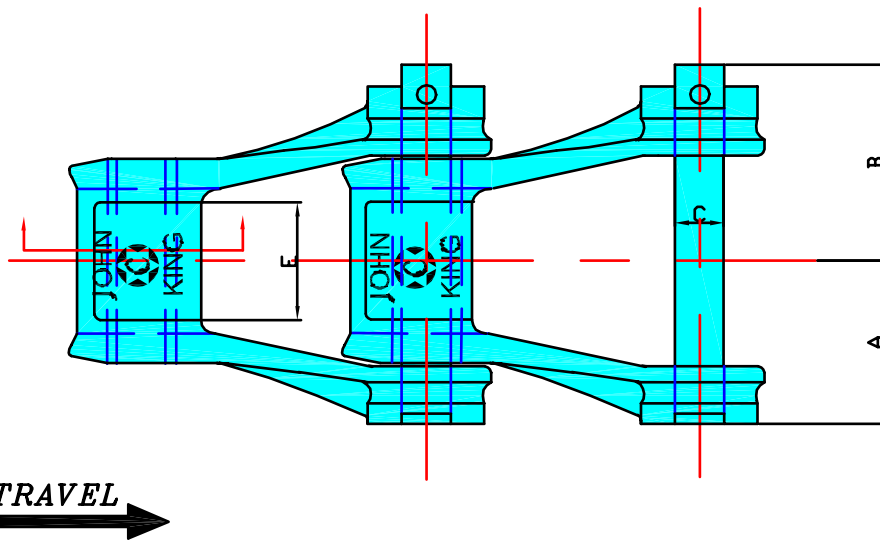
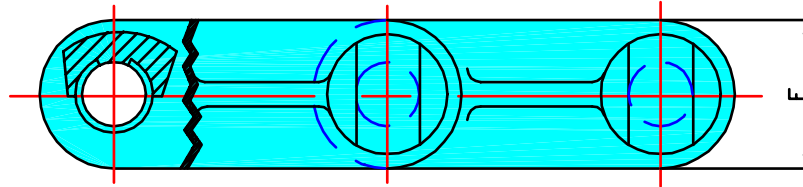


STEEL BUSHED CHAINS

BRITISH PATTERN STEEL

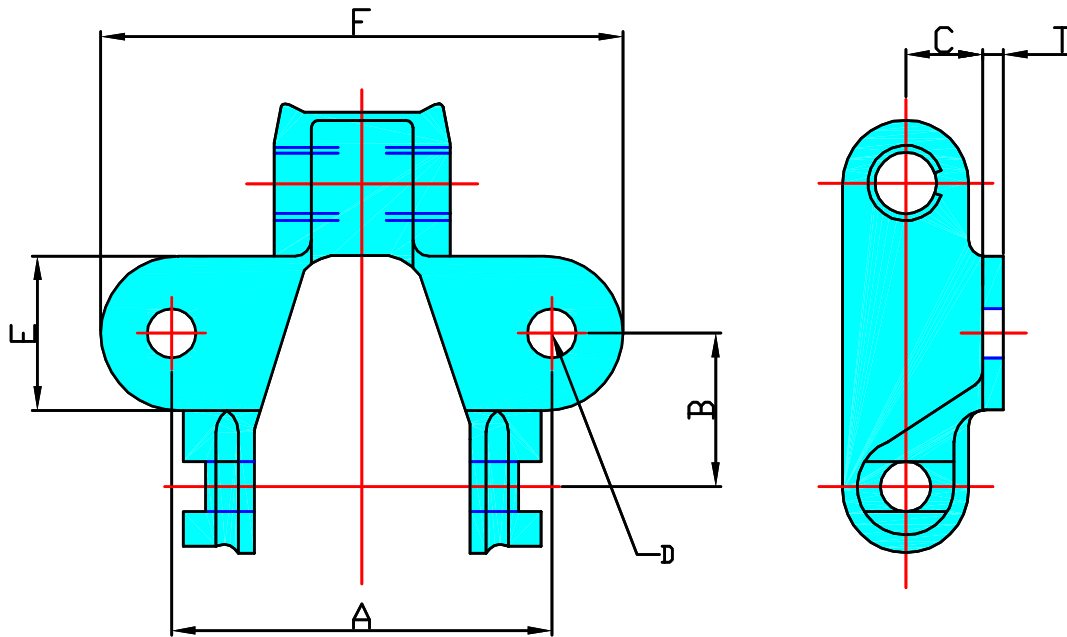


CHAIN N°	APPROX PITCH		A		B		C		E		F		No OF LINKS IN 10ft	ULTIMATE STRENGTH		NET WEIGHT	
	in	mm	in	mm	in	mm	in	mm	in	mm	in	mm		lb	kg	lb/ft	kg/m
600	6.04	153.5	2 ³ / ₄	70	3	76	1 ¹ / ₁₆	18	1 ³ / ₄	45	2 ¹ / ₈	54	20	30000	13600	10.4	15.51
603	3.03	77	2 ¹ / ₁₆	52	2 ³ / ₁₆	56	9 ¹ / ₁₆	15	1 ¹ / ₄	32	1 ¹ / ₁₆	40	40	20000	9100	7.4	11.02
604	4.03	102.5	2 ³ / ₄	70	2 ⁷ / ₈	73	5 ¹ / ₈	16	2	51	1 ¹ / ₈	48	30	27500	12400	10.0	14.92



STEEL BUSHED CHAINS

BRITISH PATTERN STEEL



TYPE K1

CHAIN N°	A		B		C		D		E		F		T	
	in	mm	in	mm	in	mm	in	mm	in	mm	in	mm	in	mm
603	4½	115	1⅛	37	1	26	7/16	11	15/8	41	5¾	146	¼	6
604	5⅞	145	2	51	1⅜	30	½	13	2⅝	67	7	178	3/8	10
600	6	152	3	76	1⅛	27	5/8	16	1¾	45	7½	191	½	13



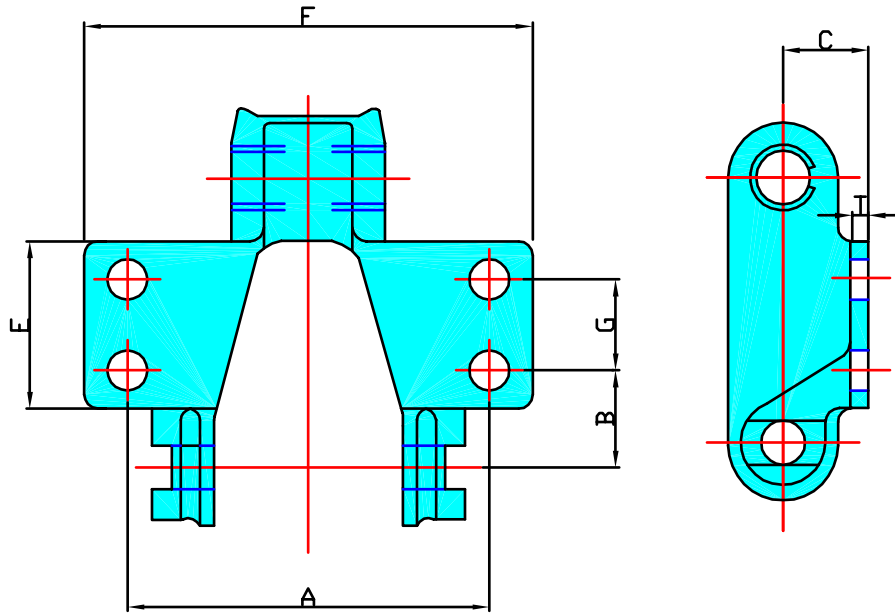
(UK) John King Chains Limited.
 New Climax Works, Lancaster Way, Sherburn in Elmet LS25 6NS UK
 Telephone: (44) 01977 681910 Facsimile: (44) 01977 681899
 E-mail: admin@johnking-chain.com
 technical@johnking-chain.com
 sales@johnking-chain.com

John King (USA) Inc.
 200 Catherine Street, Unit 7B, E. Peoria IL61611 USA
 Telephone: 309-698-9250 Facsimile: 309-698-9259
 E-mail: salesusa@johnking-chain.com

Web: www.johnkingchains.com

STEEL BUSHED CHAINS

BRITISH PATTERN STEEL



TYPE K2

CHAIN N°	A		B		C		D		E		F		G		T	
	in	mm	in	mm	in	mm	in	mm	in	mm	in	mm	in	mm	in	mm
603	5 ⁷ / ₁₆	138	1 ³ / ₁₆	21	1	25	7 ⁷ / ₁₆	11	3 ¹ / ₁₆	78	7	177	1 ³ / ₄	44	9 ³ / ₃₂	7
604	5 ³ / ₄	146	1 ¹ / ₁₆	27	1 ¹ / ₄	31	1 ¹ / ₂	12	2 ⁹ / ₁₉	65	6 ⁷ / ₈	174	1 ¹ / ₂	38	7 ¹ / ₁₆	11



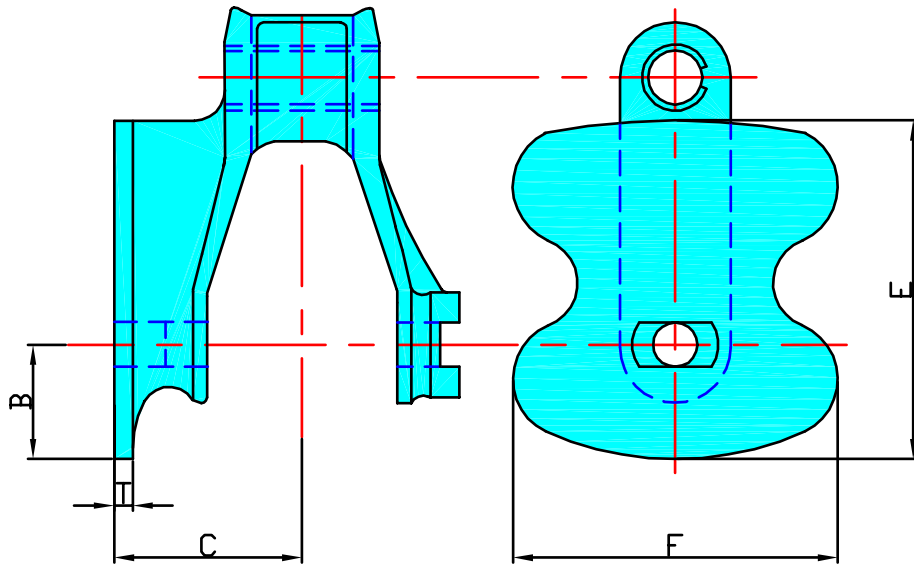
(UK) John King Chains Limited.
 New Climax Works, Lancaster Way, Sherburn in Elmet LS25 6NS UK
 Telephone: (44) 01977 681910 Facsimile: (44) 01977 681899
 E-mail: admin@johnking-chain.com
 technical@johnking-chain.com
 sales@johnking-chain.com

John King (USA) Inc.
 200 Catherine Street, Unit 7B, E. Peoria IL61611 USA
 Telephone: 309-698-9250 Facsimile: 309-698-9259
 E-mail: salesusa@johnking-chain.com

Web: www.johnkingchains.com

STEEL BUSHED CHAINS

BRITISH PATTERN STEEL



TYPE G20

CHAIN N ^o	B		C		E		F		T	
	in	mm	in	mm	in	mm	in	mm	in	mm
603	1 ¹ / ₁₆	43	2 ¹ / ₈	54	3 ¹ / ₂	89	3 ³ / ₈	86	9 ⁹ / ₃₂	7
604	2	51	3	76	4	100	4 ³ / ₄	121	3 ³ / ₈	10

