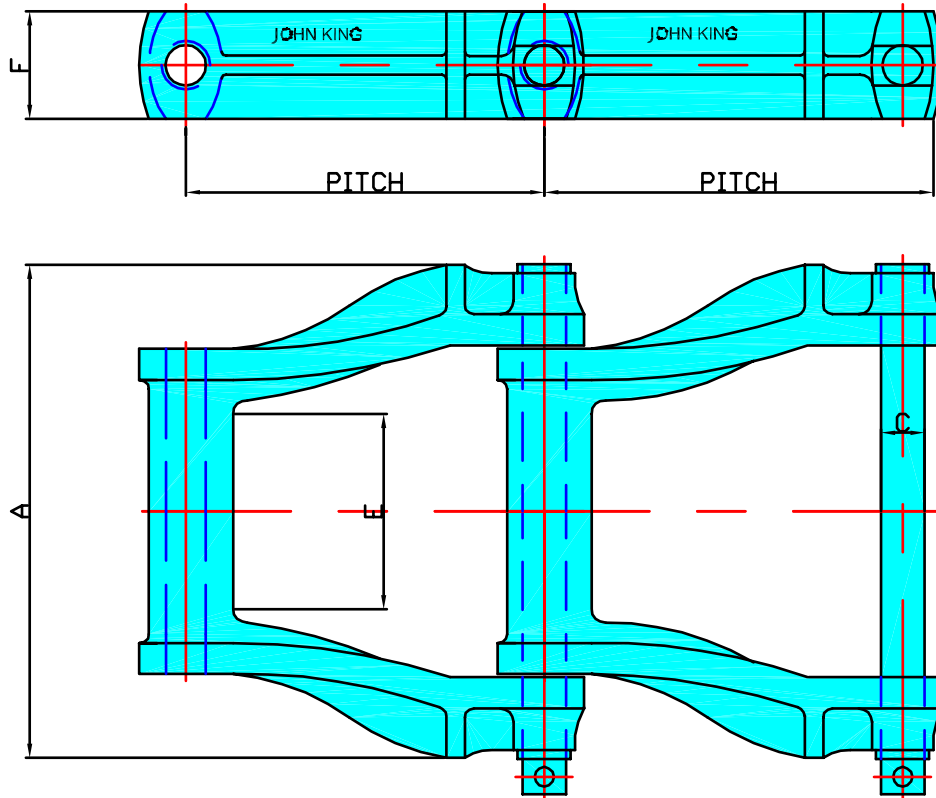


DRAG LINK CHAINS

BRITISH AND AMERICAN PATTERN



'H' CLASS STYLE

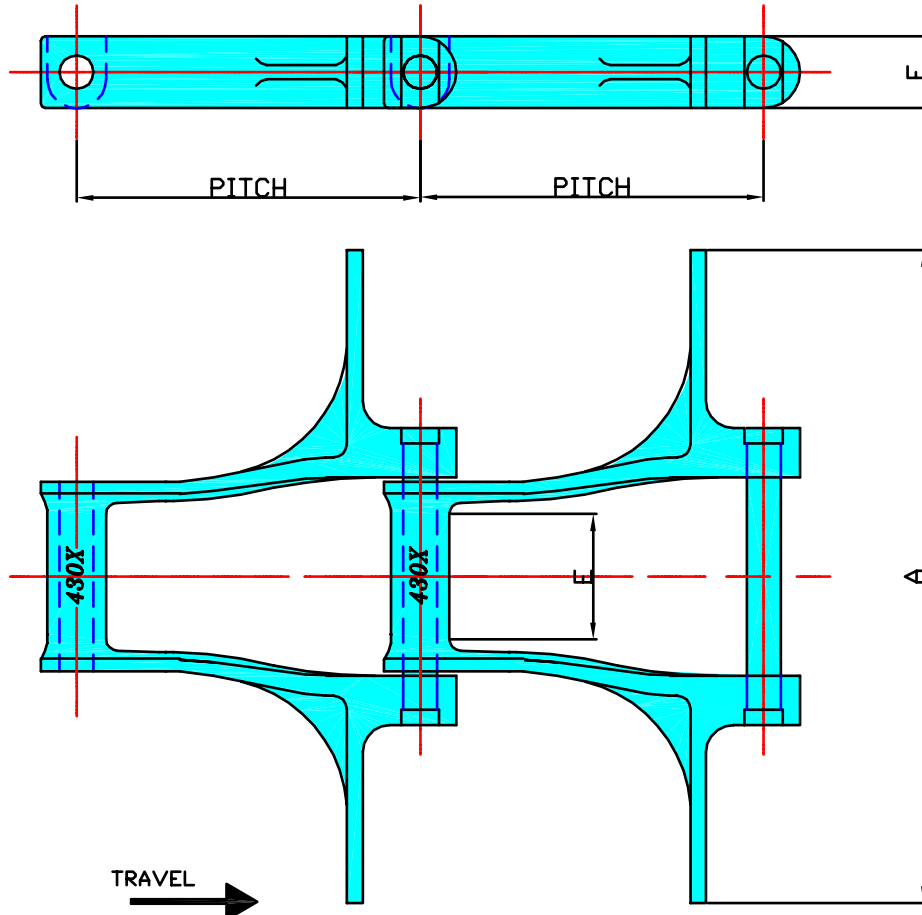


CHAIN N°	PITCH		A		C		E		F		N° OF LINKS IN 10ft	ULTIMATE STRENGTH		WEIGHT	
	in	mm	in	mm	in	mm	in	mm	in	mm		lb	kg	lb/ft	kg/m
H97	5.00	127	6½	165	⅞	14	3½	89	1⅝	35	24	20000	9080	7.8	11.64
H102	5.00	127	9¾	248	⅝	16	6⅜	162	1½	38	24	28000	12720	10.7	15.97
H104	6.00	152	7½	191	⅝	16	4⅛	105	1½	38	20	28000	12720	8.0	11.94
H106	6.00	152	10½	267	⅝	16	7	178	1½	38	20	24000	10900	12.5	18.70
H110	6.00	152	12½	318	⅝	16	9	229	1½	38	20	28000	12720	12.9	19.22
H112	8.00	203	12½	318	⅝	16	9	229	1½	38	15	28000	12720	10.8	16.07
H116	8.00	203	16⅝	416	⅝	16	13	330	1⅝	41	15	28000	12720	14.6	21.71
H120	6.00	152	12⅞	327	¾	19	8¾	222	2	51	20	38000	17250	18.5	27.49
H480	8.00	203	19	406	¾	19	11⅞	283	2	51	15	40000	18200	18.1	26.96



DRAG LINK CHAINS

BRITISH AND AMERICAN PATTERN



430X STYLE

CHAIN N°	PITCH		A		E		F		N° OF LINKS IN 10ft	ULTIMATE STRENGTH		WEIGHT	
	in	mm	in	mm	in	mm	in	mm		lb	kg	lb/ft	kg/m
430X	6.00	152	9½	241	2¼	57	1¼	32	20	25000	11380	7.0	10.43

430X is also available with a 11½ flight



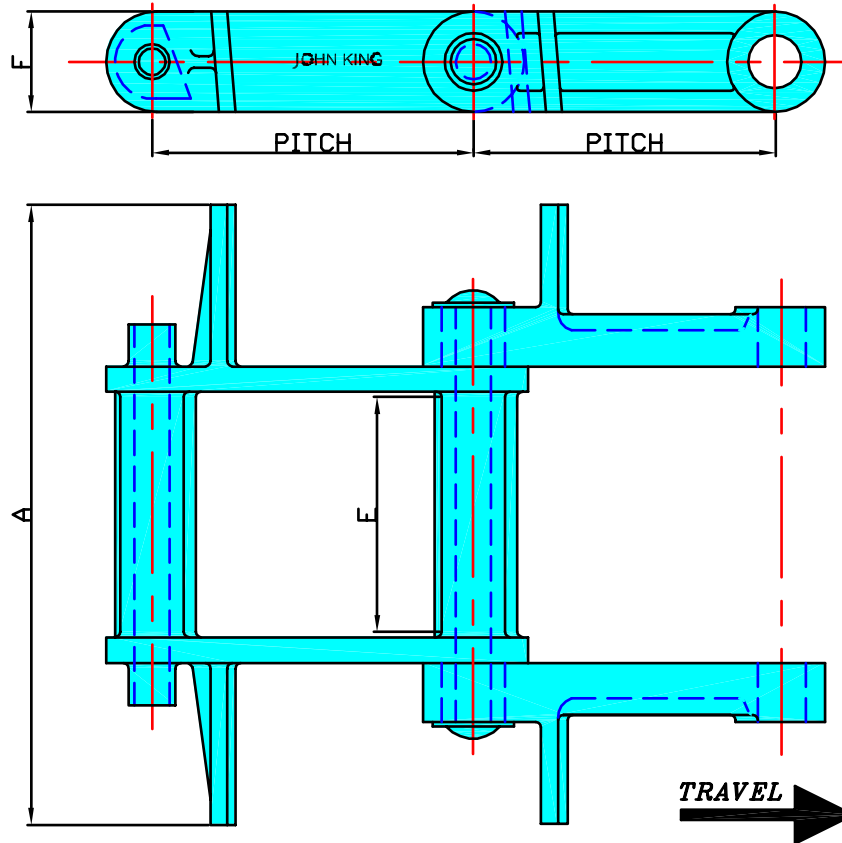
(UK) John King Chains Limited.
 New Climax Works, Lancaster Way, Sherburn in Elmet LS25 6NS UK
 Telephone: (44) 01977 681910 Facsimile: (44) 01977 681899
 E-mail: admin@johnking-chain.com
 technical@johnking-chain.com
 sales@johnking-chain.com

John King (USA) Inc.
 200 Catherine Street, Unit 7B, E. Peoria IL61611 USA
 Telephone: 309-698-9250 Facsimile: 309-698-9259
 E-mail: salesusa@johnking-chain.com

Web: www.johnkingchains.com

DRAG LINK CHAINS

BRITISH AND AMERICAN PATTERN



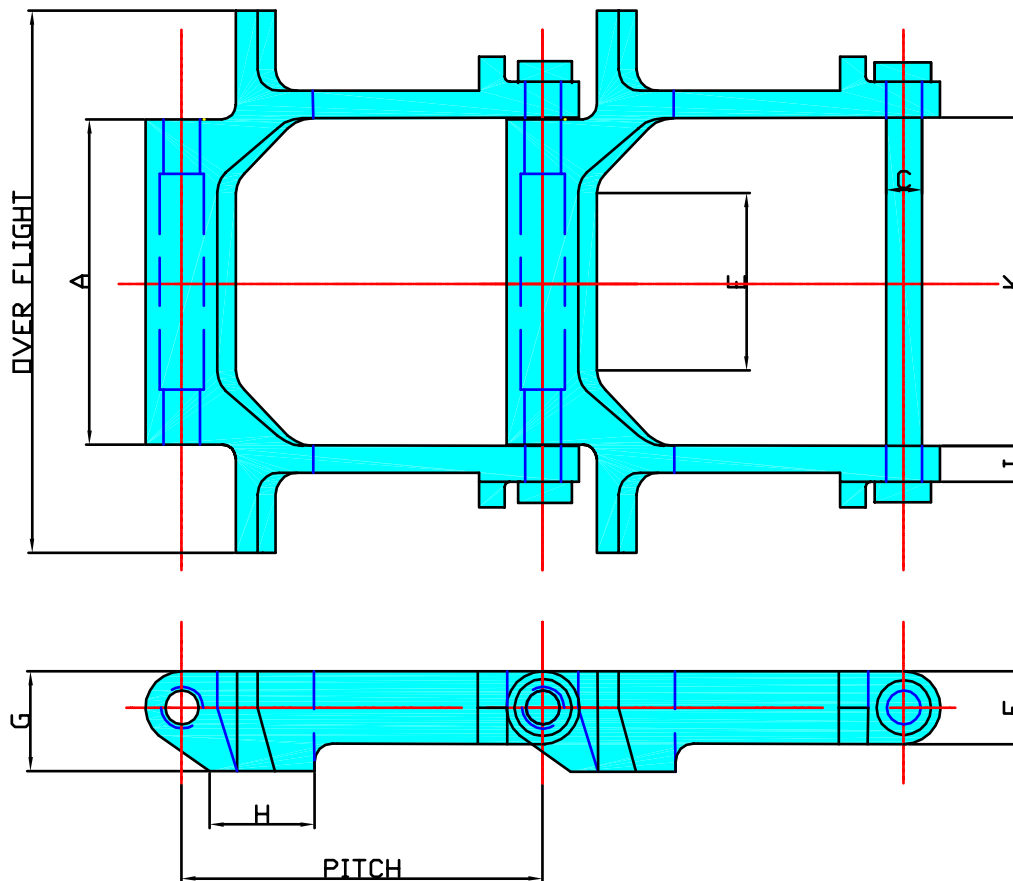
STRAIGHT SIDE BAR STYLE

CHAIN N°	PITCH		A		E		F		N° OF LINKS IN 10ft	ULTIMATE STRENGTH		WEIGHT	
	in	mm	in	mm	in	mm	in	mm		lb	kg	lb/ft	kg/m
B6A	6.00	152	11 ⁵ / ₈	296	3 ⁵ / ₈	92	1 ¹ / ₂	38	20	40000	18200	11.0	16.40



FLS DRAG LINK CHAINS

EUROPEAN PATTERN



CHAIN N°	PITCH		OVER FLIGHT		A		C		E		F		G		H		I		K	
	in	mm	in	mm	in	mm	in	mm	in	mm	in	mm	in	mm	in	mm	in	mm	in	mm
JKD200/220/TX250	7.87	200	9.84	250	7.09	180	0.71	18	4.96	126	1.57	40	2.17	55	3.74	95	0.79	20	7.17	182
JKD200/220/TX300	7.87	200	11.81	300	7.09	180	0.71	18	4.96	126	1.57	40	2.17	55	3.74	95	0.79	20	7.17	182
JKD200/220/TX450	7.87	200	17.72	450	7.09	180	0.71	18	4.96	126	1.57	40	2.17	55	3.74	95	0.79	20	7.17	182
JKD200/220/TX650	7.87	200	25.59	650	7.09	180	0.71	18	4.96	126	1.57	40	2.17	55	3.74	95	0.79	20	7.17	182
JKD200/285/TX300	7.87	200	11.81	300	8.66	220	1.02	26	3.94	100	2.04	50	2.61	64	4.92	125	1.14	29	9.18	225
JKD200/285/TX450	7.87	200	17.72	450	8.66	220	1.02	26	3.94	100	2.04	50	2.61	64	4.92	125	1.14	29	9.18	225
JKD200/285/TX500	7.87	200	23.62	500	8.66	220	1.02	26	3.94	100	2.04	50	2.61	64	4.92	125	1.14	29	9.18	225
JKD200/285/TX650	11.81	300	31.50	600	8.66	220	1.02	26	3.94	100	2.04	50	2.61	64	4.92	125	1.14	29	9.18	225
JKD300/460/TX500	11.81	300	19.69	500	14.96	380	1.38	35	11.81	300	2.76	70	3.31	84	5.90	150	1.54	39	15.08	383
JKD300/460/TX600	11.81	300	23.62	600	14.96	380	1.38	35	11.81	300	2.76	70	3.31	84	5.90	150	1.54	39	15.08	383
JKD400/690/TX800	15.75	400	31.50	800	22.76	575	1.81	46	16.46	416	4.09	106	5.31	135	7.80	198	2.17	55	22.83	580



(UK) John King Chains Limited.
 New Climax Works, Lancaster Way, Sherburn in Elmet LS25 6NS UK
 Telephone: (44) 01977 681910 Facsimile: (44) 01977 681899
 E-mail: admin@johnking-chain.com
 technical@johnking-chain.com
 sales@johnking-chain.com

John King (USA) Inc.
 200 Catherine Street, Unit 7B, E. Peoria IL61611 USA
 Telephone: 309-698-9250 Facsimile: 309-698-9259
 E-mail: salesusa@johnking-chain.com

Web: www.johnkingchains.com